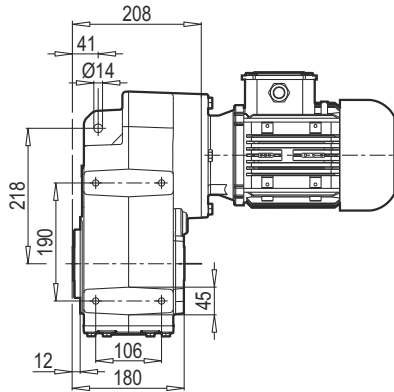
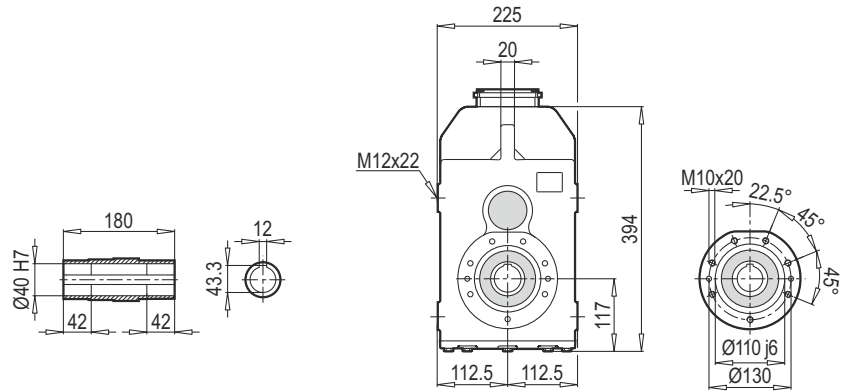


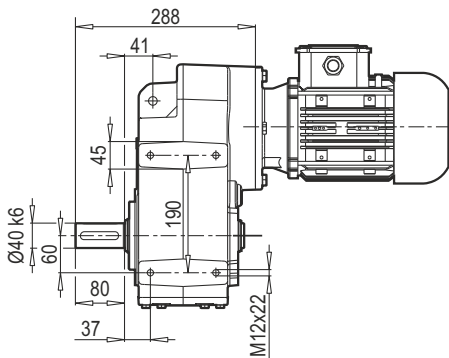
**D 402-403**



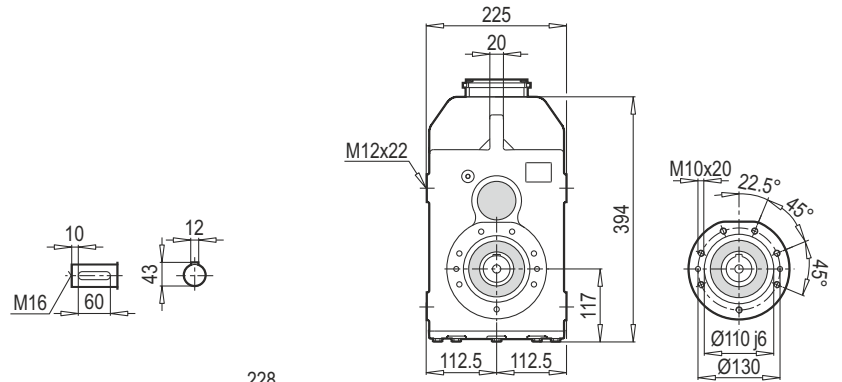
**D 402-403...B14**



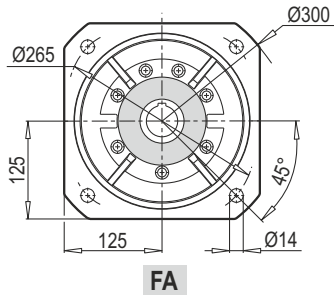
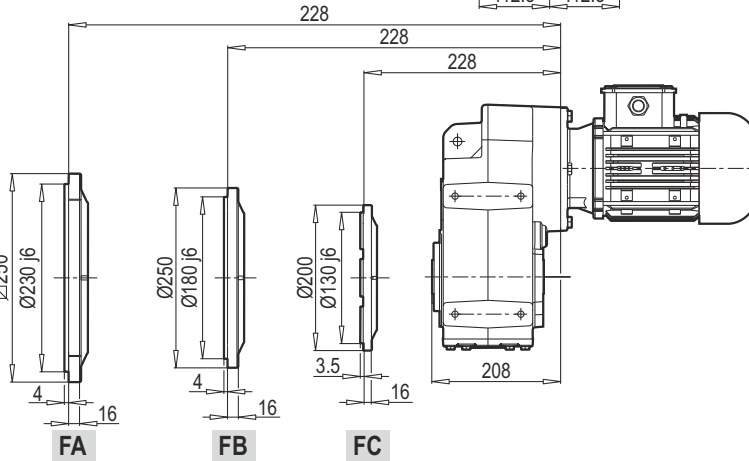
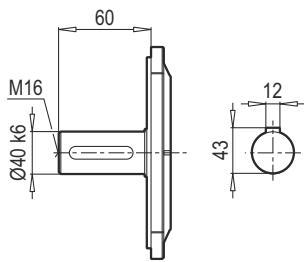
**M 402-403**



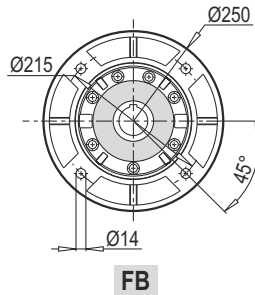
**M 402-403...B14**



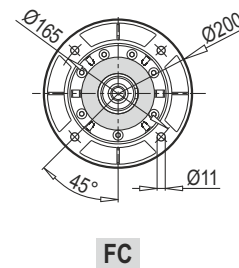
**D/M 402-403...B5**



**FA**

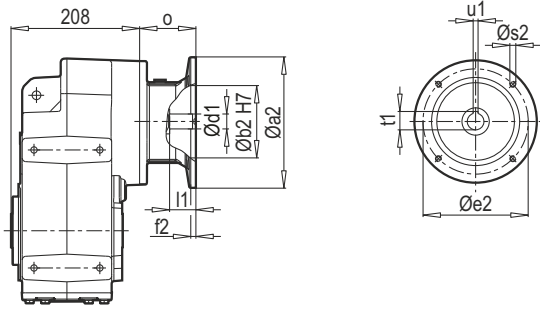


**FB**

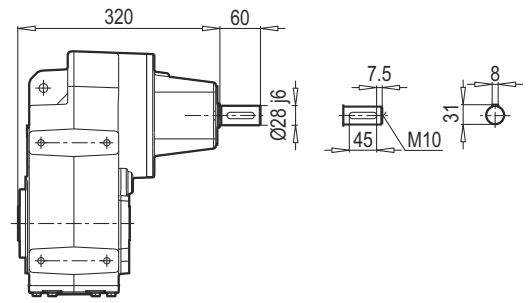


**FC**

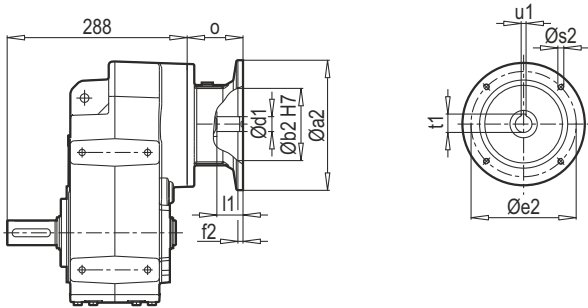
D 402-403 PAM B5/B14



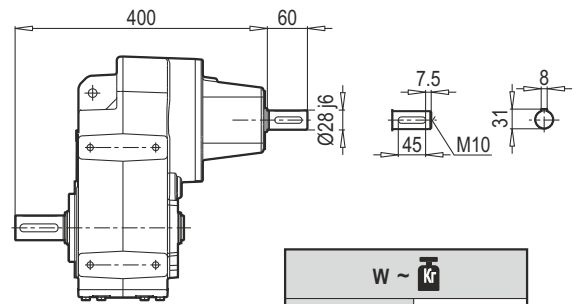
D 402-403 W



M 402-403 PAM B5/B14

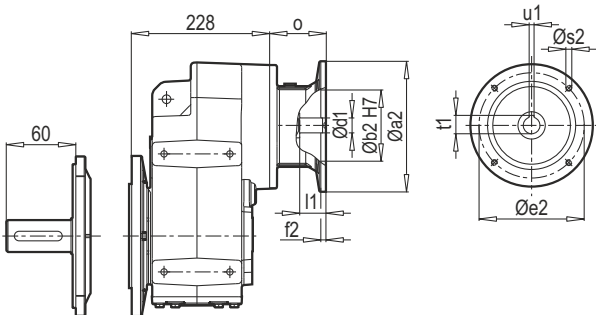


M 402-403 W

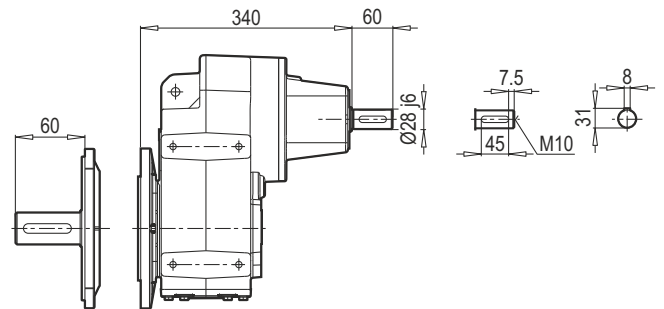


W ~	
D/M 402 - 403	39

D/M 402-403 B5 PAM B5/B14



D/M 402-403 B5 W











Редуктор	PAM B5	Øa2	Øb2	Øe2	f2	Øs2	Ød1	l1	t1	u1	o
D/M 402 - 403	71	160	110	130	5	8	14	32	16.3	5	49
	80	200	130	165	5	10	19	42	21.8	6	70
	90	200	130	165	5	10	24	52	27.3	8	70
	100	250	180	215	5.5	12	28	62	31.3	8	85
	112	250	180	215	5.5	12	28	62	31.3	8	85
	132	300	230	265	5.5	12	38	82	41.3	10	110

~		
PAM B5	D/M 402	D/M 403
71	-	34
80	37	37
90	37	37
100	39	39
112	39	39
132	43	-

Редуктор	PAM B14	Øa2	Øb2	Øe2	f2	Øs2	Ød1	l1	t1	u1	o
D/M 402 - 403	71	105	70	85	2.5	7	14	32	16.3	5	49
	80	120	80	100	3	7	19	42	21.8	6	70
	90	140	95	115	3	9	24	52	27.3	8	70
	100	160	110	130	3.5	9	28	62	31.3	8	85
	112	160	110	130	3.5	9	28	62	31.3	8	85
	132	200	130	165	3.5	11	38	82	41.3	10	110

~	
PAM B14	D/M 402 - 403
71	32
80	33
90	33
100	35
112	35
132	41

Редуктор	i	4 - пол 50 Гц 1400 об/мин n2[ об/мин]	M <sub>a</sub> макс f <sub>B</sub> =1 4 - пол. [Нм]	P <sub>1</sub> макс W f <sub>B</sub> ≥ 1				PAM - IEC								
				4 - пол. 1400 об/мин [кВт]	FR1 [кН]	FR2 (M) [кН]	FR2 (D,KS) [кН]									
<b>D 403</b>	360.25	3.9	1000	0.42	2.9	18.0	7.2	71	80	90						
<b>M 403</b>	315.51	4.4	1000	0.48	2.9	18.0	7.2	71	80	90						
<b>W</b>	292.09	4.8	1000	0.52	2.9	18.0	7.2	71	80	90						
 1	250.44	5.6	1000	0.61	2.9	18.0	7.2	71	80	90						
 1	203.06	6.9	1000	0.75	2.9	18.0	7.2	71	80	90						
<b>+</b>	184.83	7.6	1000	0.82	2.9	18.0	7.2	71	80	90						
<b>PAM - IEC</b>	158.93	8.8	1000	0.96	2.8	18.0	7.2	71	80	90						
 1	128.86	10.9	1000	1.19	2.8	18.0	7.2	71	80	90						
 1	117.30	11.9	1000	1.30	2.8	18.0	7.2	71	80	90						
	91.83	15.2	1000	1.67	2.7	18.0	7.2		80	90	100	112				
	74.45	18.8	1000	2.06	2.7	18.0	7.2		80	90	100	112				
	67.77	20.7	1000	2.26	2.6	18.0	7.2		80	90	100	112				
<b>D 402</b>	61.05	22.9	1000	2.41	2.6	18.0	7.1	80	90	100	112					
<b>M 402</b>	53.44	26.2	1000	2.75	2.6	18.0	6.7	80	90	100	112					
<b>W</b>	49.50	28.3	1000	2.98	2.5	18.0	6.5	80	90	100	112					
 1	42.38	33.0	1000	3.48	2.5	18.0	6.2	80	90	100	112	132				
 1	39.44	35.5	1000	3.73	2.4	18.0	6.0	80	90	100	112					
<b>+</b>	34.36	40.7	1000	4.28	2.3	18.0	5.7	80	90	100	112	132				
<b>PAM - IEC</b>	31.28	44.8	1000	4.71	2.3	18.0	5.5	80	90	100	112	132				
 1	28.22	49.6	900	4.69	2.3	18.0	5.4	80	90	100	112	132				
 1	26.83	52.2	900	4.94	2.2	18.0	5.3	80	90	100	112	132				
	23.60	59.3	800	4.99	2.2	17.8	5.1	80	90	100	112	132				
	21.75	64.4	800	5.41	2.2	17.3	4.9	80	90	100	112	132				
	19.80	70.7	770	5.72	2.1	16.8	4.8	80	90	100	112	132				
	16.99	82.4	770	6.66	2.0	15.8	4.5	80	90	100	112	132				
	15.42	90.8	770	7.33	1.9	15.3	4.4	80	90	100	112	132				
	12.50	112.0	750	8.80	1.6	14.1	4.0	80	90	100	112	132				
	11.38	123.0	700	9.03	1.6	13.8	3.9	80	90	100	112	132				
	9.71	144.1	650	9.78	1.5	13.2	3.8	80	90	100	112	132				
	7.88	177.8	600	11.13	1.3	12.3	3.5	80	90	100	112	132				
	7.17	195.3	550	11.21	1.3	12.0	3.4	80	90	100	112	132				